

VISION-3 LIGHTING

Side Mount Metal Halide Flood **MODEL FL15** 39 Watt Max., PAR20 Metal Halide 39 Watt Max., GU6.5 Base T4 Metal Halide

Specifications:

Body: Machined 6061-T6 aluminum or C36000 brass body with 18-8 stainless steel hardware. Machined 6061-T6 aluminum or C36000 brass side mount knuckle is pressed into body and sealed with a high temperature silicone O-ring.

Knuckle: Machined 6061-T6 aluminum or C36000 brass mounting knuckle with a 1/2" NPS threaded male fitting allows a full range of mounting positions. Double taper design (U.S. Patent #6,966,679) allows fixture to hold position during aiming and ensures a solid lock when tightened. Integral high temperature silicone O-ring prevents leaking between housing and knuckle. Rotate and Lock design (U.S. Patent #7,108,405 & #7,458,552) allows for full 360° horizontal aiming and locking. See Model MO7 - Rotate and Lock submittal for specifications.

Cap: Machined 6061-T6 aluminum or C36000 brass caps come in seven styles, lock in place with one 18-8 stainless steel set screw, and are sealed to the body with a high temperature silicone O-ring. Regressed caps have drain holes for water drainage from top of lens if mounted in the up position. All caps accept up to three internal accessories, held in place by a stainless steel clip.

Finish: TGIC thermo set polyester powder coat paint available in 14 standard colors. On aluminum model, finish is applied over a corrosion resistant, hexavalent chromium free, RoHS compliant coating. Aluminum model available in one additional metal finish: Clear Anodized. Brass model available in three additional metal finishes: Natural, Polished, and Aged.

Socket: Medium base porcelain socket with nickel-plated copper contacts and 600V, 250° C, PTFE coated 18 ga leads (PAR20 lamps), or GU6.5 bi-pin porcelain socket with nickel-plated copper contacts and 600V, 250° C, PFA coated 18 ga leads (T4 lamps).

Lamp: Medium base PAR20 or GU6.5 base T4 Metal Halide lamp up to 39W (ballast required).

Lens: 1/8" thick, tempered, clear lens, secured to cap with a high temperature, UV curing, silicone adhesive.

Certification: CSA tested & certified to US and Canadian safety standards per UL1598 & CSA C22.2 No. 250-08 for the following applications:

Wet location landscape use:

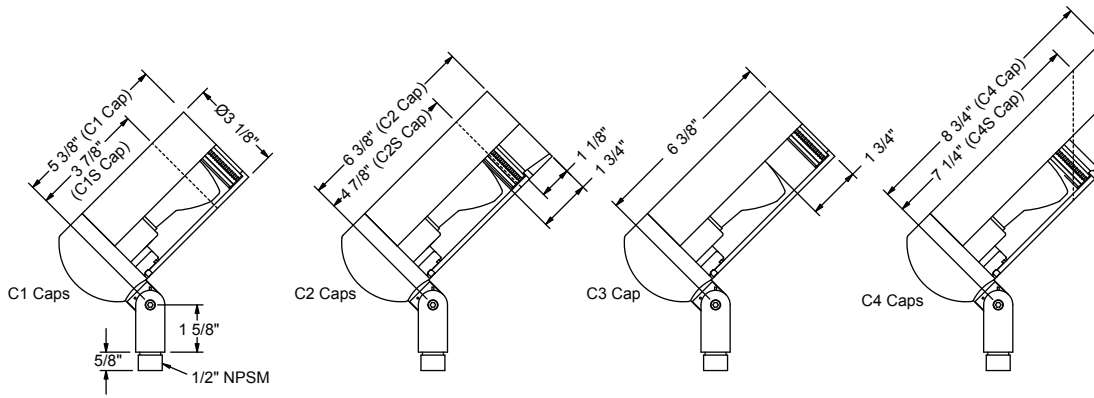
FL15(A&B) - 39W Max. T4 or PAR20 Metal Halide lamp.

Wet location wall mount use:

FL15(A&B) - 39W Max. T4 or PAR20 Metal Halide lamp.

Wet location ceiling mount use:

FL15(A&B) - 20W Max. T4 or 39W Max. PAR20 Metal Halide lamp (integral ballast mounts can not be used).



Ordering Information:

Model	Finish	Cap ¹	Knuckle	Lamp Type ³	Lamp ³	Lens Accy	Filter	Louver	Ballast Catalog String ³
FL15A - Aluminum	BL - Black	Standard:	K2 - Rotate & Lock ²	PAR20MH - PAR20 MH	0 - None	0 - None	0 - None	0 - None	Fixture must be specified with one of the following ballasts: BM1 - Stake Mount Ballast (20W & 39W) BM2 - In-Ground Ballast (39W only) BM3 - In-Ground Remote Ballast (39W only) BM4 - Wall Mount Remote Ballast (20W & 39W) BM6 - Wall Mount Canopy Ballast (20W & 39W) BM7 - Wall Mount Canopy Ballast (20W only)
FL15B - Brass	BLT - Textured Black	C1 - Flush		T4-SP - T4 MH w/ Spot Optics	T4 Metal Halide:	L1 - Spread Lens	F1 - Red	H1 - Honeycomb Louver	
	BN - Bronze	C2 - Regress Lens		T4-NFL - T4 MH w/ Narrow Flood Optics	101 - 20W, CMH20T	L2 - Linear Lens	F2 - Blue		
	BNT - Textured Bronze	C3 - Regress Lamp		T4-FL - T4 MH w/ Flood Optics	114 - 39W, CMH39T	L3 - Softening Lens	F3 - Light Blue		
	BAT - Textured Bark	C4 - 45° Angled			PAR20 Metal Halide:		F4 - Green		
	WI - White	Short:			32 - 39W, PAR20MH, 10° Spot		F5 - Amber		
	GRT - Textured Green	C1S - Flush			33 - 39W, PAR20MH, 30° Flood		F6 - Pink		
	SI - Silver	C2S - Regress Lens							
	GY - Grey	C4S - 45° Angled							
	BE - Beige								
	GNT - Textured Granite								
	SAT - Textured Sand								
	PAT - Textured Patina								
	EAT - Textured Earth								
	CLA - Clear Anodized (FL15A only)								
	NAT - Natural (FL15B only)								
	POL - Polished (FL15B only)								
	AGE - Aged (FL15B only)								

Notes:

1. 'Short' caps can only be used with T4MH lamps.
2. K2 knuckle is protected under U.S. Patents #6,966,679, #7,108,405 and #7,458,552.
3. See ballast submittal for specifications, limitations, and correct catalog number logic. Ballast type and wattage must match lamp type and wattage.
4. Specifications, certifications, and ordering information are subject to change. Please check website for latest specification sheets.

Example: **FL15B - NAT - C1 - K2 - PAR20MH - 32 - 0 - F1 - 0 - Ballast Catalog String**